

## Smart home audio and video system

### Appearance Colors



### Product Specifications

<b>System</b>	Operation System	Other (Bluetooth)
	Intelligent	None
<b>Screen</b>	Main screen size	2.58inch
	Resolution	None
	Material	None
	Touch	Button touch
<b>Storage</b>	Body memory	None
	TF card memory	32GB
<b>Network</b>	Wired network port	Not support
	WIFI	Not support
<b>Amplifier</b>	Output Power	2*15W
	Output impedance	4-8ohm
	THD	0.03% (1W.1KHZ)
	Frequency response	20Hz-20KHz
	S/N	98db
	Partition	Not support
<b>Bluetooth</b>	Version	4.0
<b>485function</b>	None	
<b>Audio format</b>	MP3、WAV、WMA、FLAC、APE、DTS、AAC、AC3、OGG and other audio formats	
<b>Photo</b>	Not support	
<b>Trigger alarm</b>	Support	
<b>Audio input</b>	AUX, one set	
<b>Audio output</b>	OUT, one set	
<b>IR control</b>	Support	

### Product Size

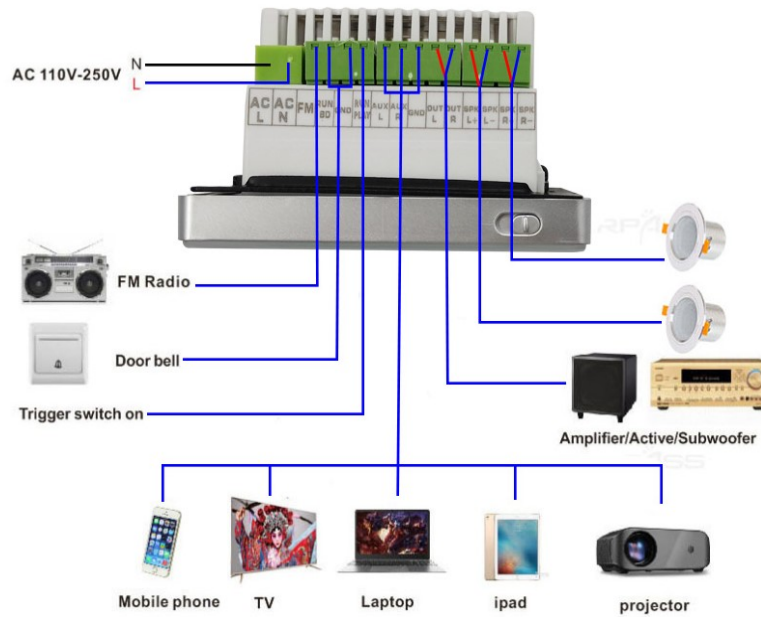
<b>Length</b>	86MM	<b>Width</b>	86MM	<b>Height</b>	10MM
<b>Weight</b>	0.38KG	<b>Installation size</b>	86*86*57MM	<b>Color</b>	black/white/gold

## Smart home audio and video system

### Function Description

1. 2.5D craft glass with plastic sandblasting frame
2. Turn on the phone and play the specified music.
3. Support power-on to automatically play songs
4. Power-off memory function: remember the state played before the last shutdown
5. Support trigger doorbell function
6. Support linkage trigger to play music
7. Support linkage trigger shutdown

### Installation wiring diagram



**Packaging: remote control + manual + warranty card + junction box + hanger + screws**

Standard accessories

Color box

1 white remote control

1 wire box + 1 mounting bracket + 1 pack of screws



Packing

single package:

Pit box + pearl cotton

Size:

145\*125\*85MM

Weight:

0.4KG



# SP-PW215A Technical Parameters

## Smart home audio and video system

FCL packing:	sets/CTN 20	Size:	295*430*255MM	Weight:	8.2KG
--------------	-------------	-------	---------------	---------	-------