

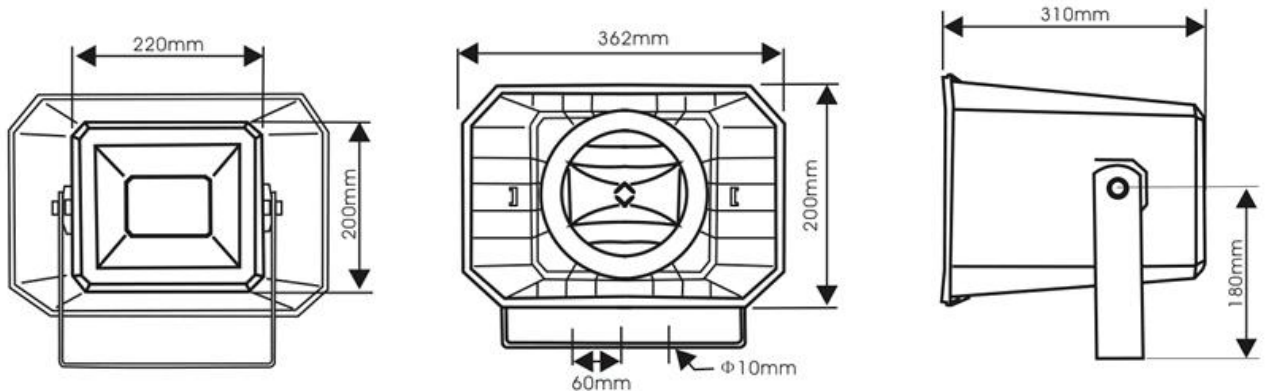
## SP-HM50 Waterproof Horn Speaker 50W



### Features:

- Public Address System music & paging horn speaker with transformer
- High sound quality weatherproof and wide frequency response
- Much longer dispersion distance
- 6" woofer and 1" tweeter two way speaker driver unit
- UV protected ABS enclosure and stainless metal bracket
- IP66 dust and water resistance

### Specifications:



Model No.	<b>SP-HM50</b>
Rated Power	50W
Power Taps @100V	3.5W/4.5W/9W/12.5W/25W/50W
Power Taps @70V	1.75W/2.25W/4.5W/6.25W/12.5W/25W
Constant voltage input	100V/70V/8ohm
Sensitivity	95±3dB
Frequency Response	120Hz-12KHz
Material	ABS Enclosure + Metal Bracket
Color	Grey
Waterproof rating	IP66
Dimension	360*256*295mm
Net Weight	4.00KG