

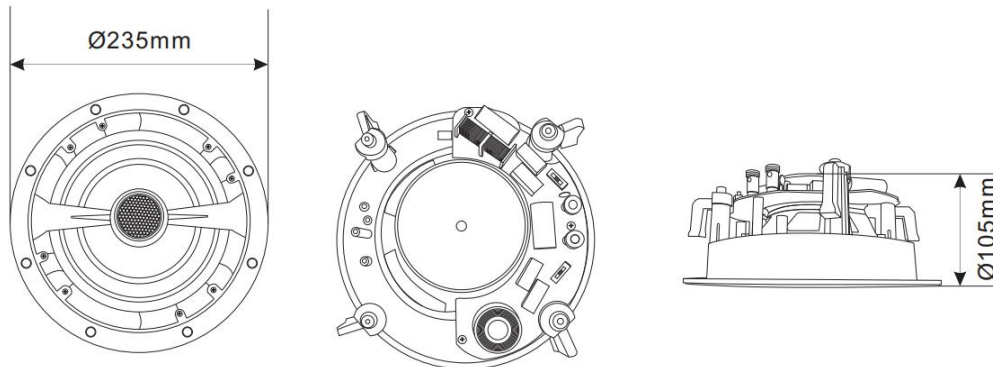
SP-FCL630
Frameless Ceiling Speaker 30W



Main Features:

- Frameless Narrow Edge Shell in Fashion Design
- Power Output: RMS 30W, MAX 60W
- Fast-fix solution (dog-leg design)
- Magnetic front grille
- Woofer: 6.5" Woven Cone , Tweeter: 0.75" Titanium Dome
- Perfect for high-end commercial audio sound system

Specifications:



Model	SP-FCL630
Rated Power	30W
Max Power	60W
Input Impedance	8ohm
Sensitivity(1M/1W)	90±3dB
Frequency Response	50Hz-20KHz
Speaker Unit	6.5"*1+0.75"*1
Material	ABS+Metal Grille
Cutout Size	Φ200mm
Product Dimension	Φ235*105mm
Net Weight	1.65KG